

LL-PIC45 AC

Lamp description
LED PICKET SPOTLIGHT

8 W

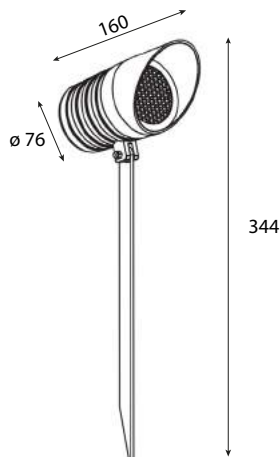


LL-PIC45 AC

LED Picket | specifications

8W

■ BLACK

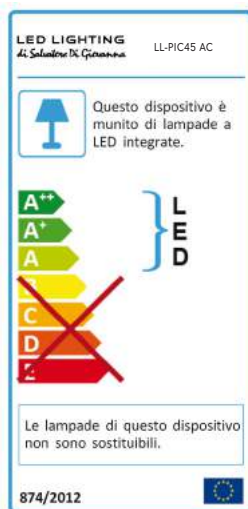
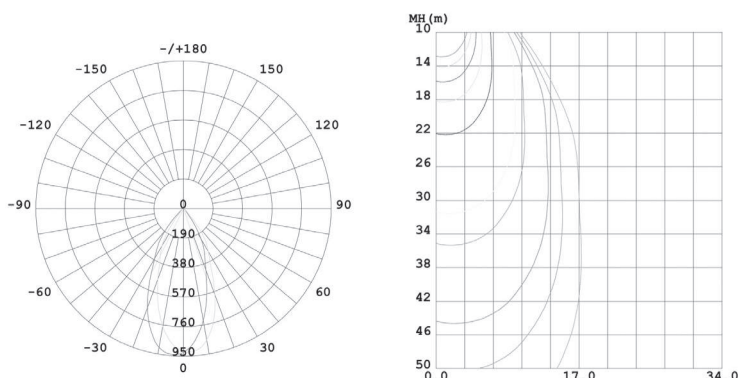


SPECIFICATIONS

Installation Type: Picket
Power: 8 W
Light source: AC Cob LED
Lamp Luminous Flux 3000K: 640 lm
CRI >90
CCT: 3000K – 4000K – 5000K
Optic: Reflector with HB filter
Beam angle: 15° - 24° – 36°
Input: AC 220-240 V / 50-60 Hz
Operating Temperature: -20° ÷ + 40° C
IP grade: IP65
Insulation class: I

Material: Die casting aluminum
Surface treatment: Surface anti-ageing and shockproof electrostatic spray processing
Finish: Black
Dimension: Ø 76 x 160 x H 344 mm

PHOTOMETRIC DATA / 36°



Energy label

CERTIFICATIONS



PRODUCT CODE

LL-PIC45-8-B-X²-X³

X Power: 8
X¹ Finish: B
X² CCT : WW / NW / PW
X³ Beam angle: 15° - 24° - 36°

